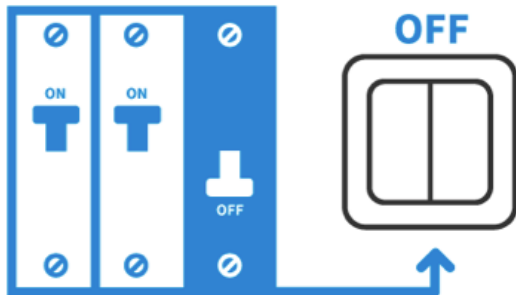
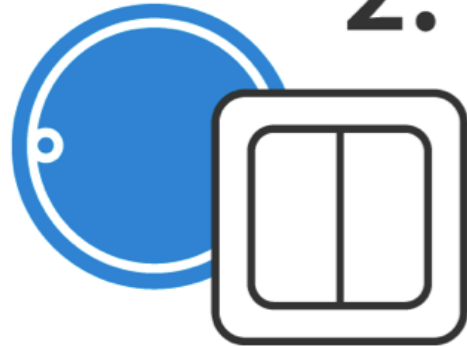


1.



Switch off the main voltage

2.



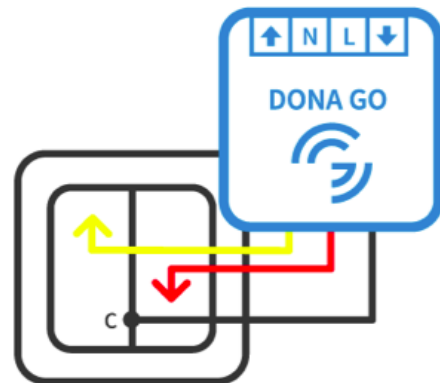
Open the wall switch box and disconnect the wires

3.



Connect the device in accordance with the diagram

4.



Connect the switch to DONA GO module

5.



Close the switch box



6.

Set-up the system in your smartphone